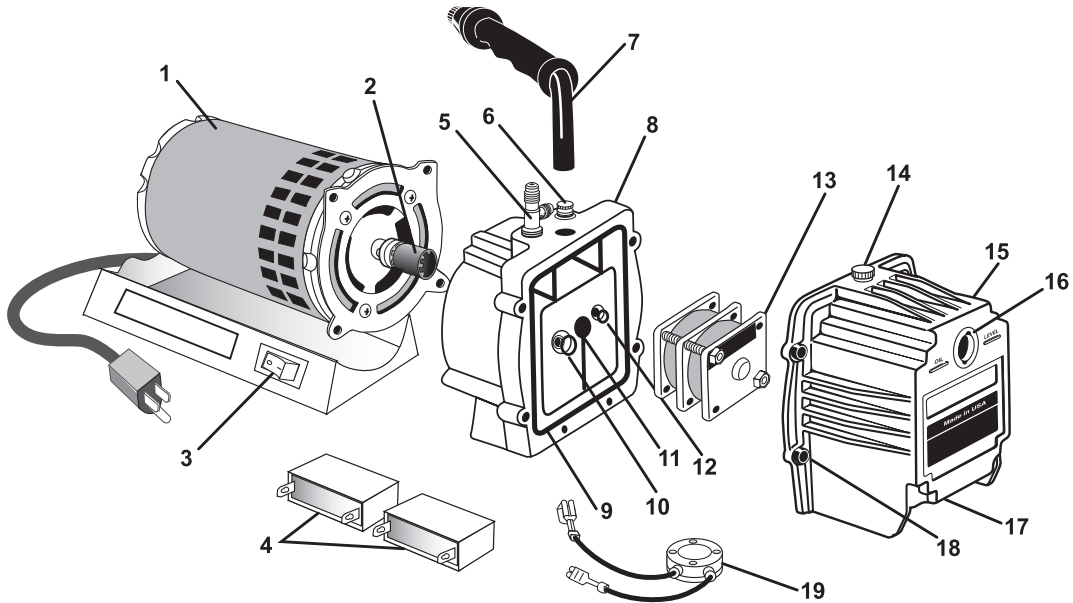




### 90060 Parts Breakdown



Ref.#	Description	Part #
1.	MOTOR 110-220V 50/60Hz 1/6 HP	90060-001
2.	SHAFT COUPLER ASSEMBLY	90060-02
3.	ON/OFF SWITCH ( I / 0 )	98300-006
4.	CAPACITOR (1 pc.) - 2 REQUIRED FOR EACH PUMP	90050-003
5.	INTAKE TEE	90052-31
6.	GAS BALLAST FITTING WITH O-RING	90052-29
7.	PUMP HANDLE WITH GRIP AND PLUG	90060-40
8.	PUMP HOUSING	90060-11
9.	PUMP COVER O-RING	90060-13
10.	SUCTION O-RING	90060-22
11.	SHAFT SEAL	90060-06
12.	SMALLER O-RING ON HOUSING	90052-23
13.	CARTRIDGE KIT (1.5 CFM or 42 LIT/MIN)	90160-R
14.	OIL FILL PLUG W/O-RING	90052-30
15.	PUMP COVER	90060-12
16.	SIGHT GLASS ASSEMBLY	90052-14
17.	DRAIN VALVE	90052-28
18.	COVER CAP SCREW (1 pc.)	90052-33
19.	THERMISTOR	90050-002

(TO SPECIFY 220V MOTORS, ADD -220 TO PART#)

#### LIMITED WARRANTY INFORMATION

Vacuum Pumps are warranted against defects in material and workmanship for a period of one year. This warranty does not cover failure due to abuse, improper usage, or progressive wear and tear. Warranty becomes valid to the original owner and is effective on the purchase date.

#### WARRANTY SERVICE IS PROVIDED THROUGH THE FACTORY ONLY.

Please contact the service department toll free for parts, service concerns, or to obtain a return authorization number for warranty repair.

**TOLL FREE Warranty Service 1-888-825-6989**